



KELONIK CINEMA SOUND

## SR-15 SURROUND SYSTEM



Approved by LUCASFILM LTD. for **THX** system

SURROUND CHANNEL CINEMA SOUND  
SYSTEM, ESPECIALLY DESIGNED  
FOR DIGITAL SYSTEM SPECTACULAR  
SOUND INSTALLATIONS.

# SR-15 SURROUND SYSTEM

The SR-15 system offers the most enjoyment in high quality sound for spectacular sound systems on the surround channel. This acoustic system was designed to reproduce the great dynamics of recordings with digital sound. The SR-15 system is an acoustic cabinet composed of one driver with 2" Ø titanium membrane with a 1" Ø horn outlet, a 15" Ø woofer which has a special elastic suspension system that gives truly extraordinary performance, quality and spectacularity. The crossover is passive type, with a 1,500 Hz cut.

The SR-15 has a switch to obtain two different response curves for the installations offering the following possibilities:

- (1) (ISO 2969) Response to ISO 2969 cinema surround rolloff curve.
- (2) (Flat) Flat response for improved high frequencies.

## TECHNICAL DATA

Frequency range (-10 dB)	35 Hz - 20 kHz
Nominal Impedance	8 Ω
POWER CAPACITY	
Continuous Pink Noise (l)	200 W
Continuous Program	400 W
Sensitivity 1W/1m	98 dB S.P.L.
Crossover Frequency	1,500 Hz
Horizontal Beamwidth	90°
Vertical Beamwidth	60°
Dimensions (H x W x D)	57 x 59 x 32.5 cm
Net Weight	22 kg

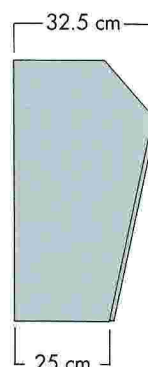
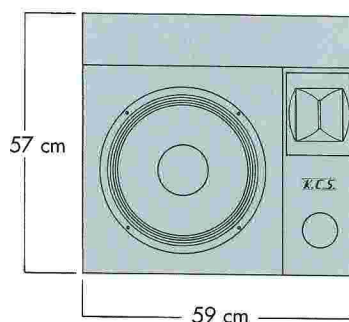
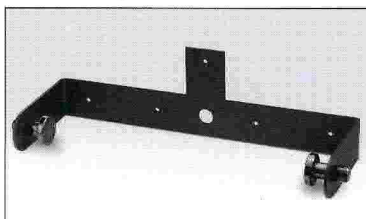
(l) Based on a 2 hour test using a continuous 6 dB crest factor pink noise signal bandlimited according to IEC 268-1 (1985)

## COMPONENTS

Cabinet	SR-15
Low Frequency Driver	G-15K
Passive Crossover	F-SR-15
High Frequency Driver	S-401
High Frequency Horn	TR-1K

## ACCESORIES

SP SR-15 adjustable mount



Approved by LUCASFILM LTD. for **THX** system

DISTRIBUTED BY:

**SUMINISTROS KELONIK, S.A.**

Badajoz, 159 bis - 08018 Barcelona (SPAIN)  
Tel. 34-93 300 43 61 - Fax 34-93 300 03 15  
E-mail: sk@kelonik.com



**KELONIK & D.A.S.**

K.C.S. products have been developed jointly by KELONIK & D.A.S. companies in Spain, strictly based upon professional sound technology for cinema theaters. K.C.S. products are internationally distributed by SUMINISTROS KELONIK, S.A.