

Universal Reverse Scan Ana./Dig. sound reader

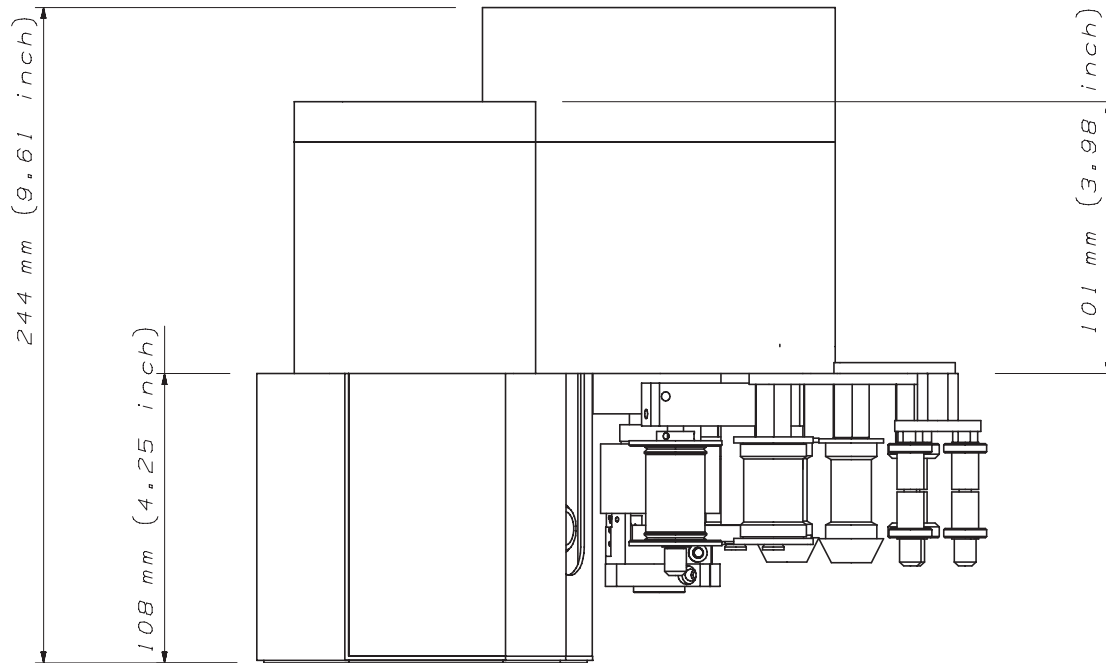
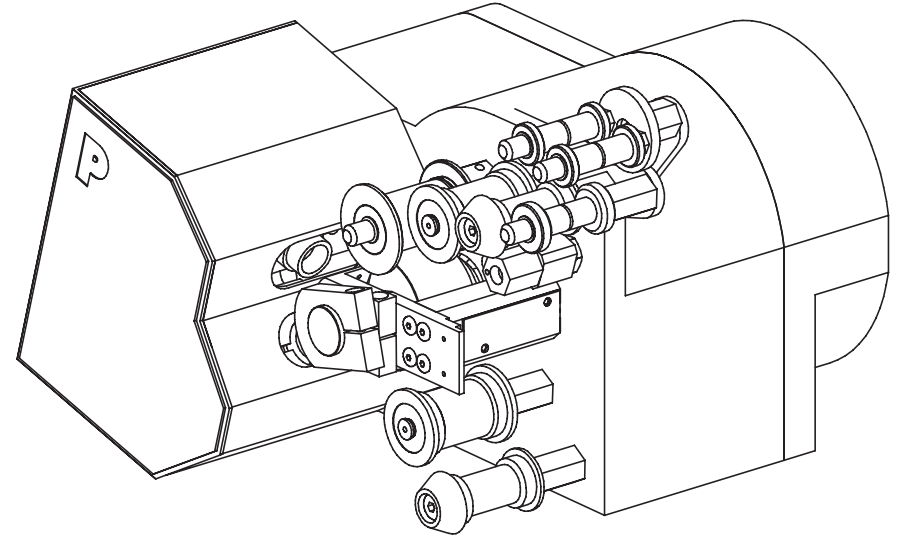
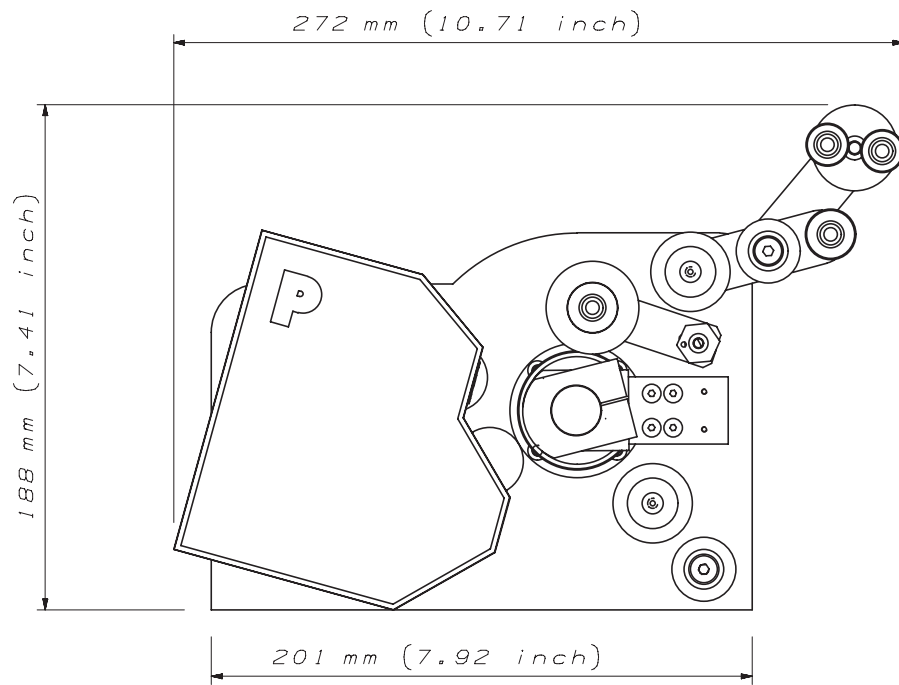


Features:

- Suitable for installation to any type of projector.
- Analogue or/and Dolby digital scanning based on Red LED Reverse scan.
- CCD scanner for Dolby digital reproduction.
- Complete system with regulation, Red LED, lens, stereo cell. with pre-amplifier.
- Response up to 18.000 Hz.
- Diaphonic free.
- Double switched power supply.



Specifications subject to change



Specifications subject to change