

Universal Rev. Scan Analógica sound reader

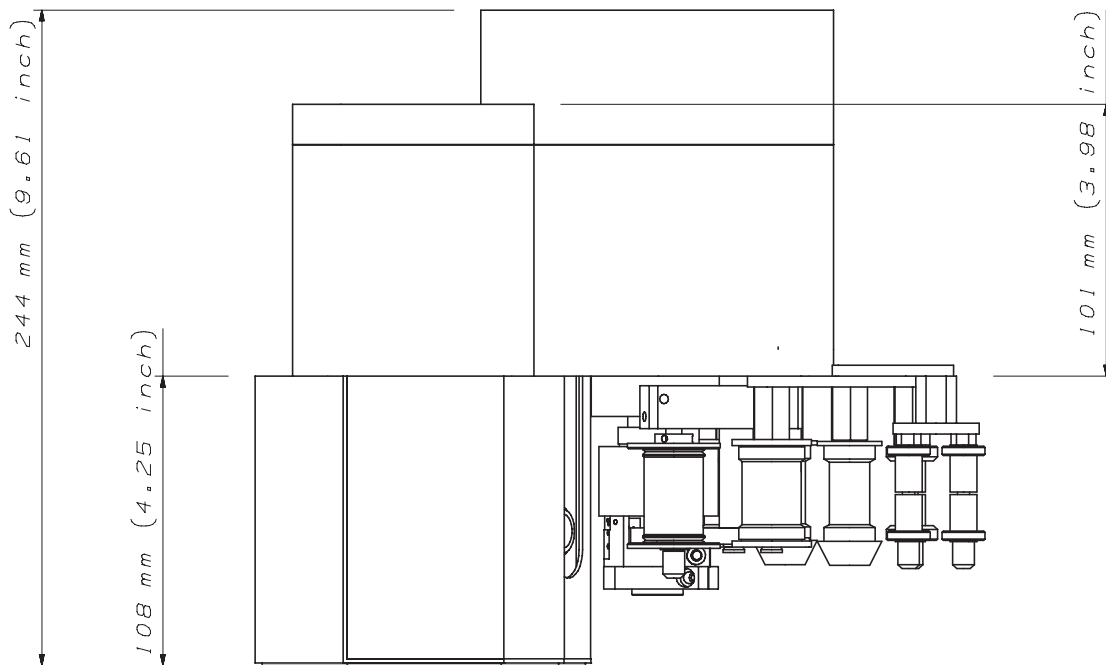
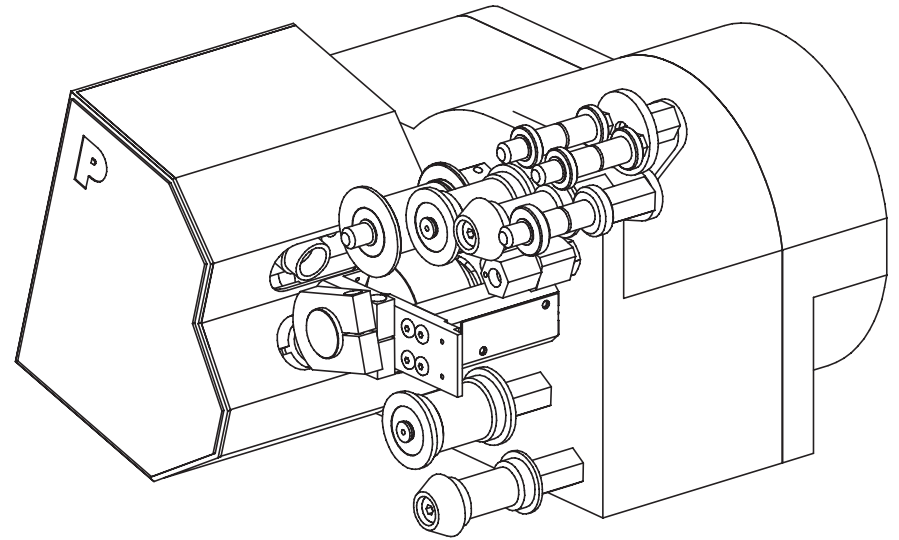
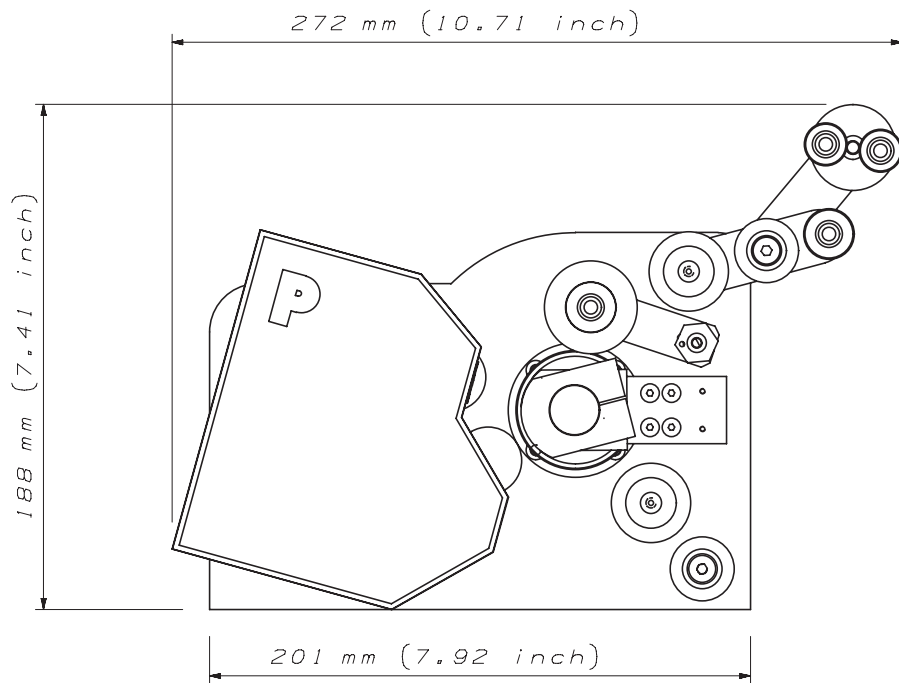


Features:

- Suitable for installation to any type of projector.
- Analogue reader based on Red light LED Reverse scan system.
- Complete system with regulation, Red LED, lens, stereo cell. with pre-amplifier.
- Response up to 18.000 Hz.
- Diaphonic free.
- Double switched power supply.



Specifications subject to change



Specifications subject to change